

## **Pre-Installation**

**Selecting a Location**

**Measuring the Distance**

## **Anker SOLIX Solar Panel Mount for Flat Roof and Backyard Installation**

**Components Overview**

**Installation**

What You Need

## **Anker SOLIX Solar Panel Mount for Pitched Tiled Roof Installation**

**Installation**

What You Need

## **Anker SOLIX Solar Panel Mount for Pitched Bitumen and Metal Roof**

**Installation**

**Components Overview**

**Installation**

What You Need

## **Anker SOLIX Solar Panel Mount for Balcony Installation**

**Components Overview**

**Installation**

What You Need

## **Anker SOLIX Solar Panel Mount for Wall Installation**

**Installation**

What You Need

## Pre-Installation



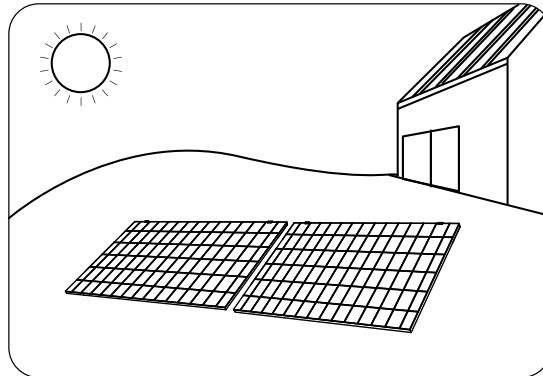
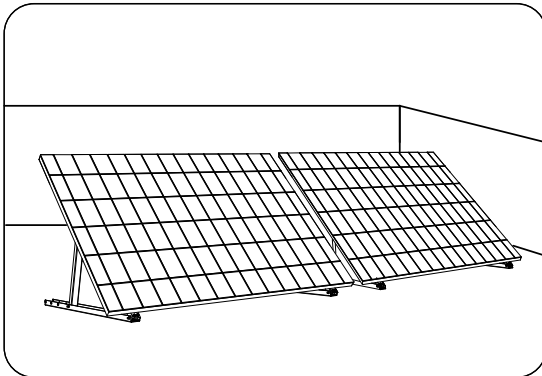
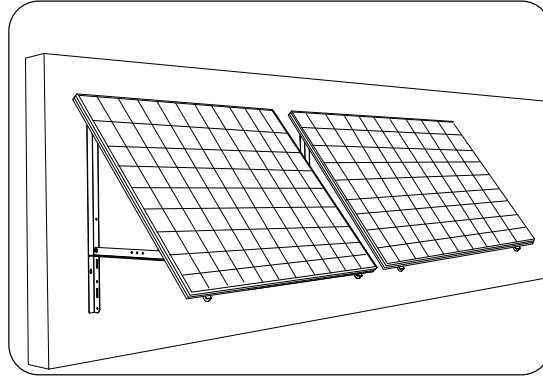
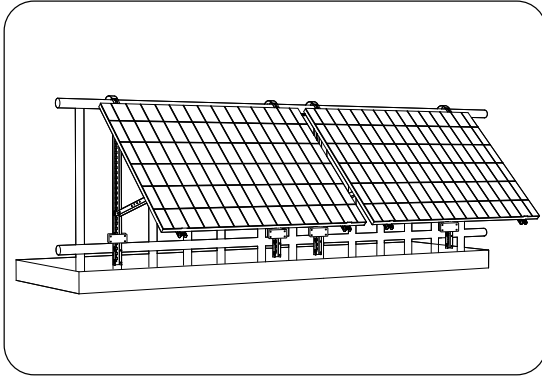
If you wish to verify and commission your solar system immediately, complete the installation when the weather is sunny.



During installation or removal, we recommend that at least two people work together.

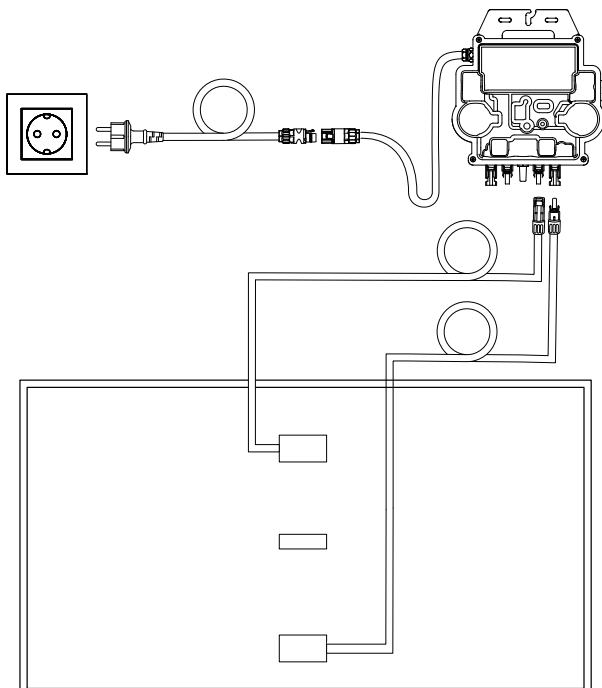
## Selecting a Location


The solar panel can be installed on the balcony or the ground. Different locations require different installation methods and accessories. Select an appropriate location before installing the solar panels.



## Measuring the Distance

Determine the position of the microinverter and solar panel with the Schuko connection cable and solar panel's extension cable.



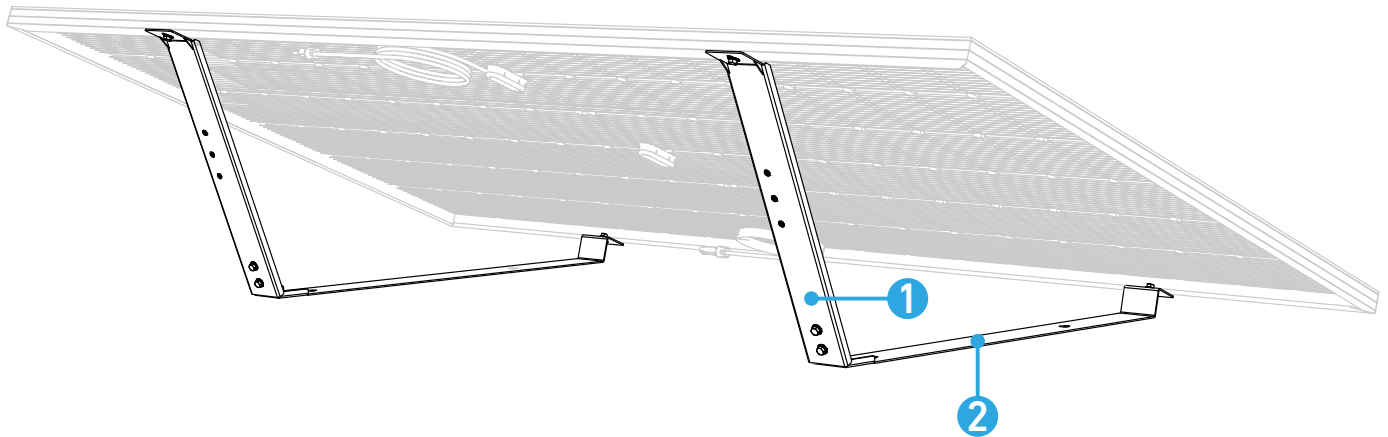
 Additional extension cables may be required. Please purchase them if needed.

# Anker SOLIX Solar Panel Mount for Flat Roof and Backyard Installation



**ANKER SOLIX**

## Components Overview



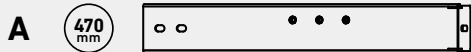
① Pitched Support Beam

② Bottom Support Beam

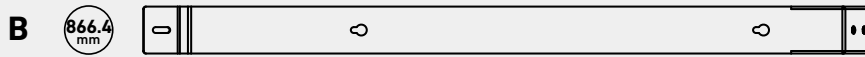
💡 Angle: 20° (Between ground and PV panel), 120° (Maximum)

## Installation

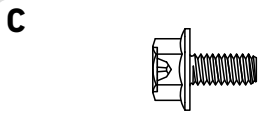
### What You Need



Pitched Support Beam (×4)



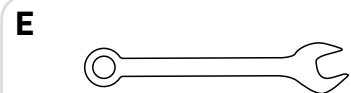
Bottom Support Beam (×4)



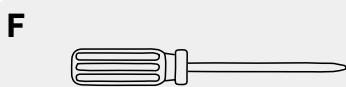
M6 × 14mm Flange Bolt  
(×19)



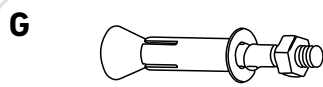
M6 Flange Nut  
(×8)



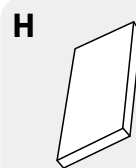
Wrench



Screwdriver



SUS304 Expansion Bolt  
(×8)

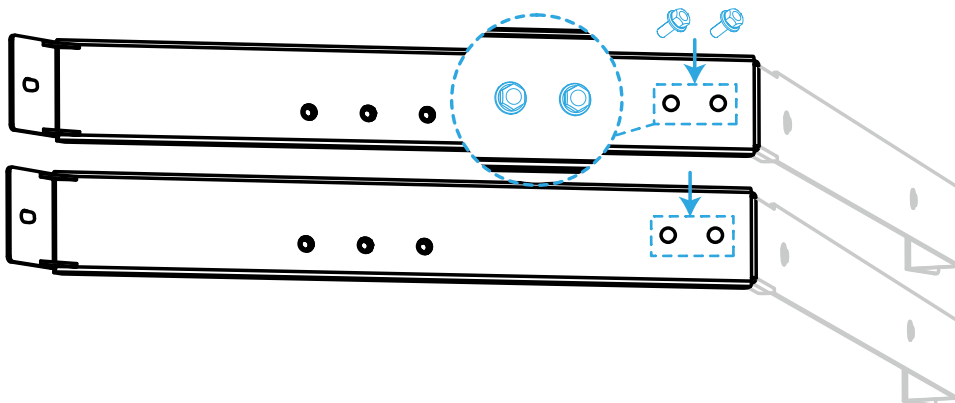
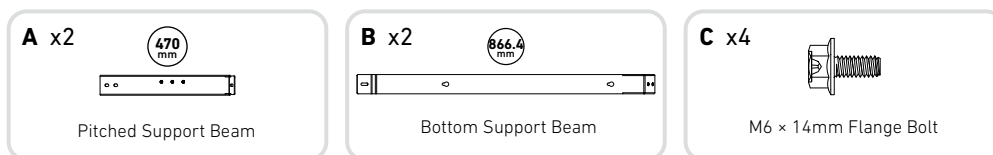


Adhesive Rubber Pad  
(×12)

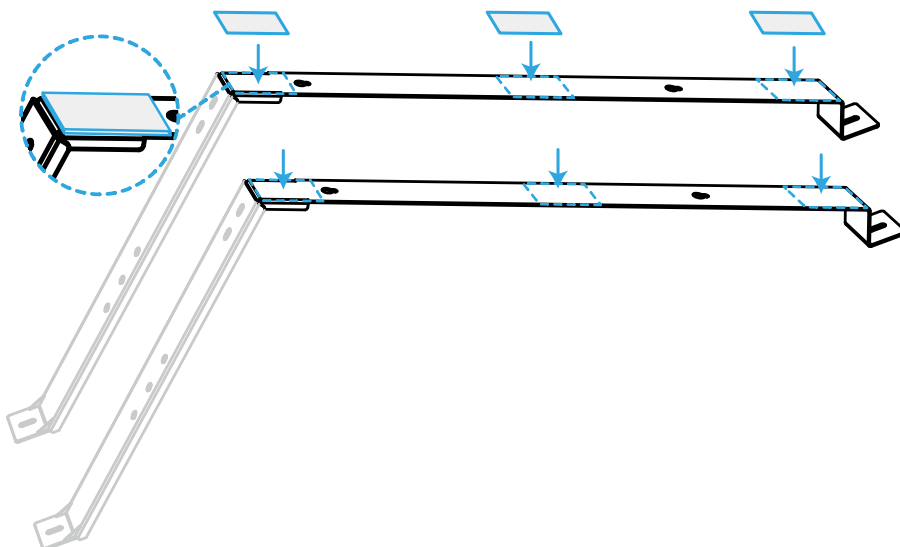


Work Gloves  
(Not included)

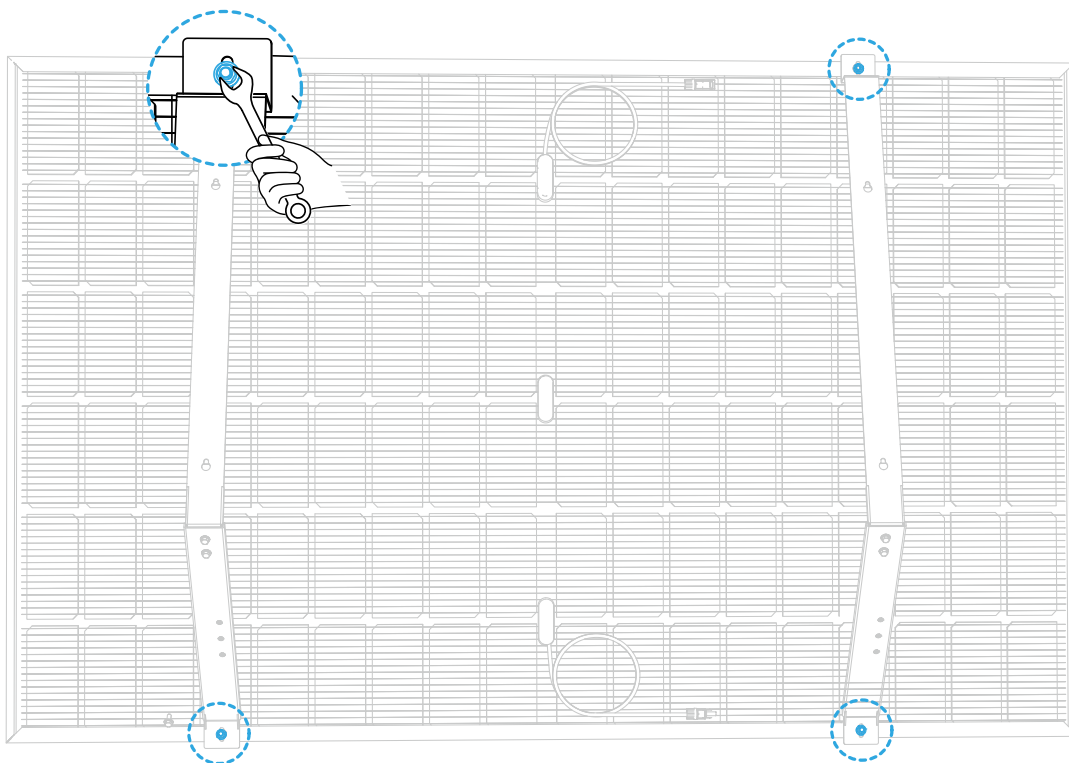
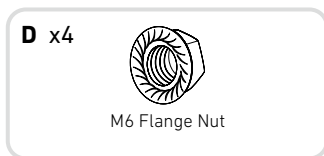
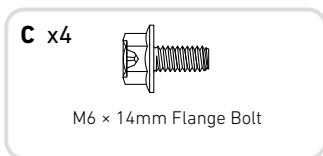
1. Mount the bottom support beams to pitched support beams with M6 × 14mm flange bolts.



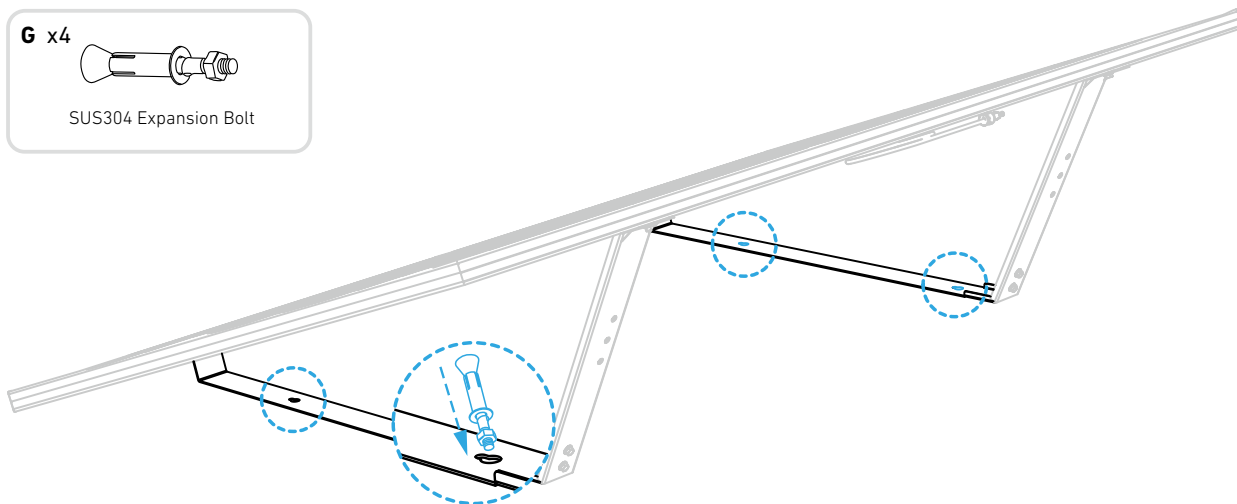
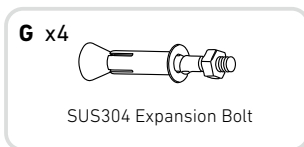
2. Attach the adhesive rubber pads to the bottom support beams.



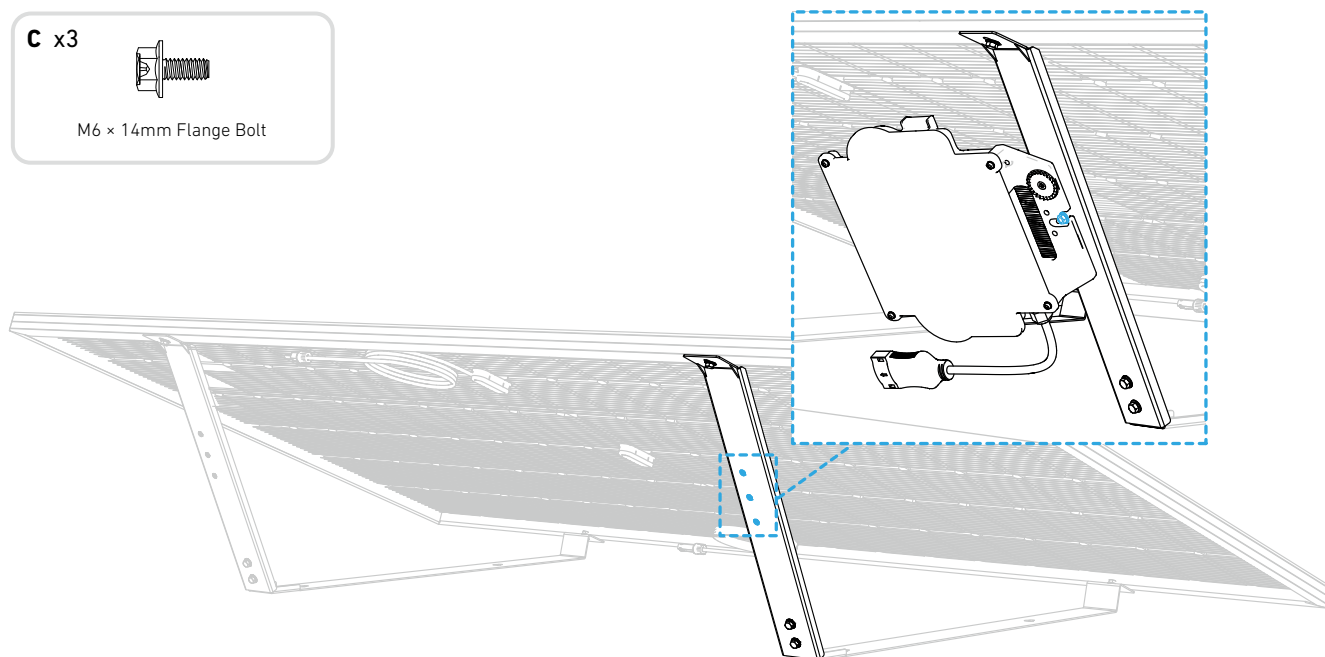
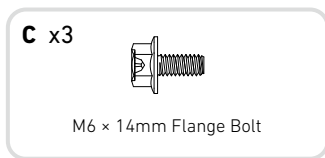
3. Mount the beams on solar panel with M6 14mm flange bolts and M6 flange nuts.



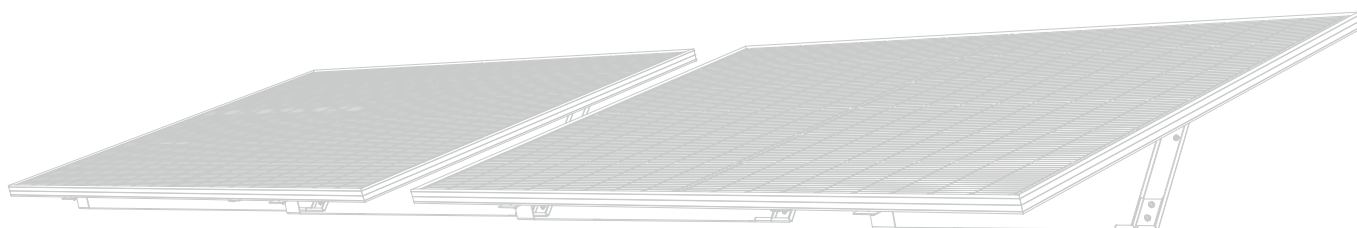
4. Secure the bottom support beams with SUS304 expansion bolts.



5. Install the microinverter to the beams.



6. Repeat the steps above to install another solar panel.

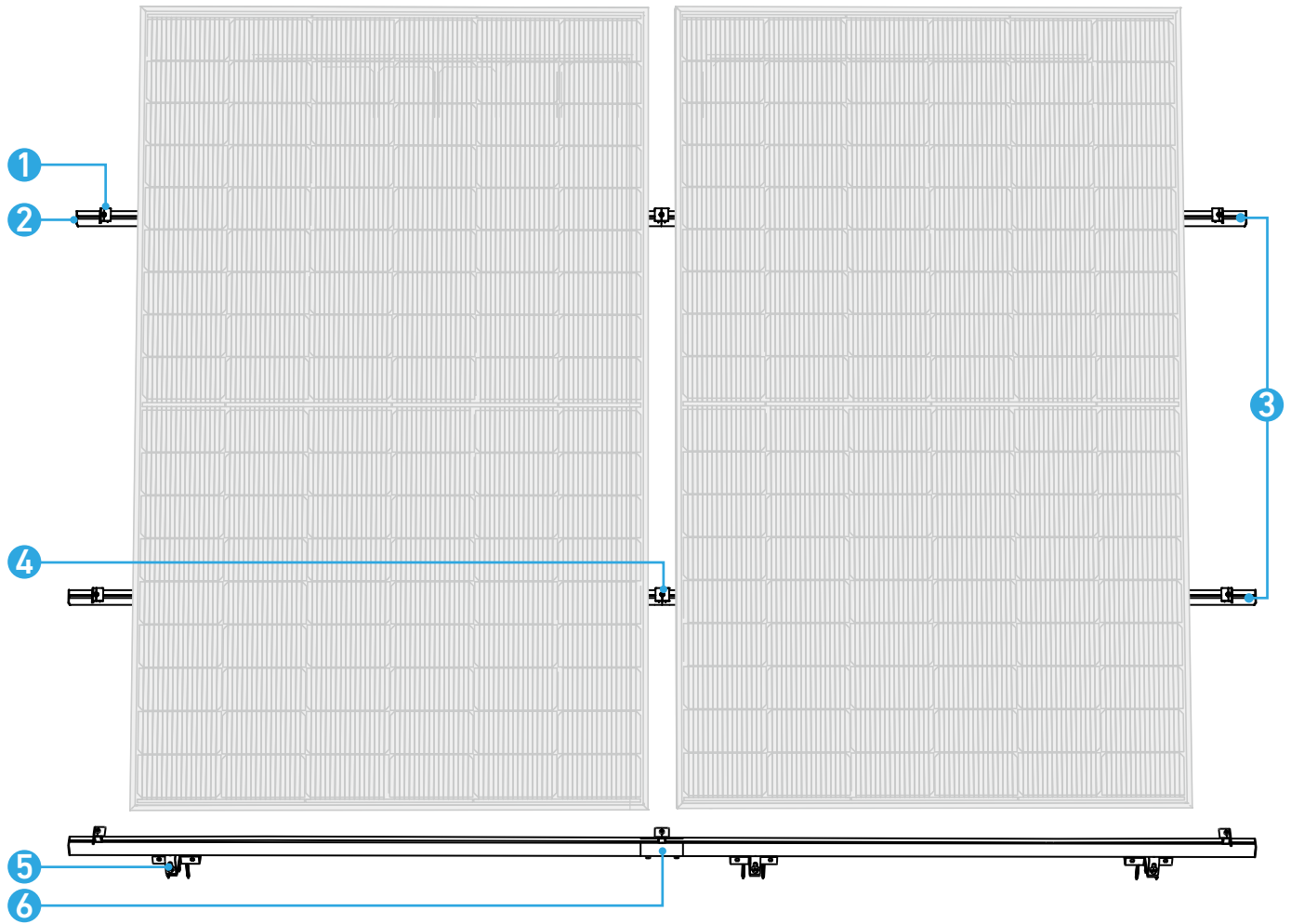


# Anker SOLIX Solar Panel Mount for Pitched Tiled Roof Installation



**ANKER SOLIX**

## Components Overview



- ① End Clamp
- ② Rail Cap
- ③ Rail
- ④ Mid Clamp
- ⑤ Hook
- ⑥ Rail Connector

# Installation

## What You Need

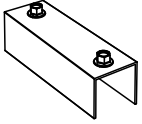
**A**

1185  
mm

Rail  
(×4)



**B**



Rail Connector  
(×2)

**C**



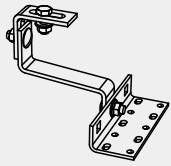
End Clamp  
(×4)

**D**



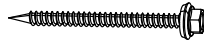
Mid Clamp  
(×2)

**E**



Hook  
(×6)

**F**

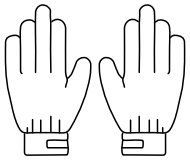


Wooden Screw  
(×20)

**G**

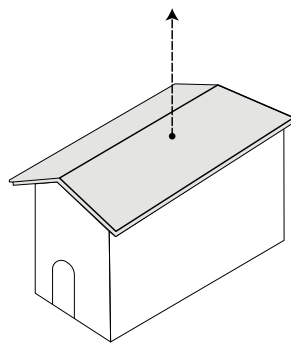
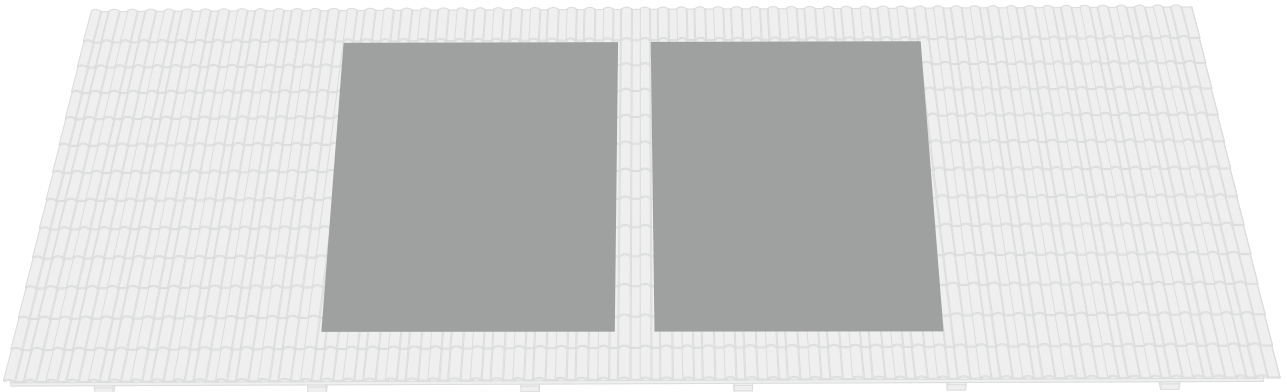


Rail Cap  
(×4)

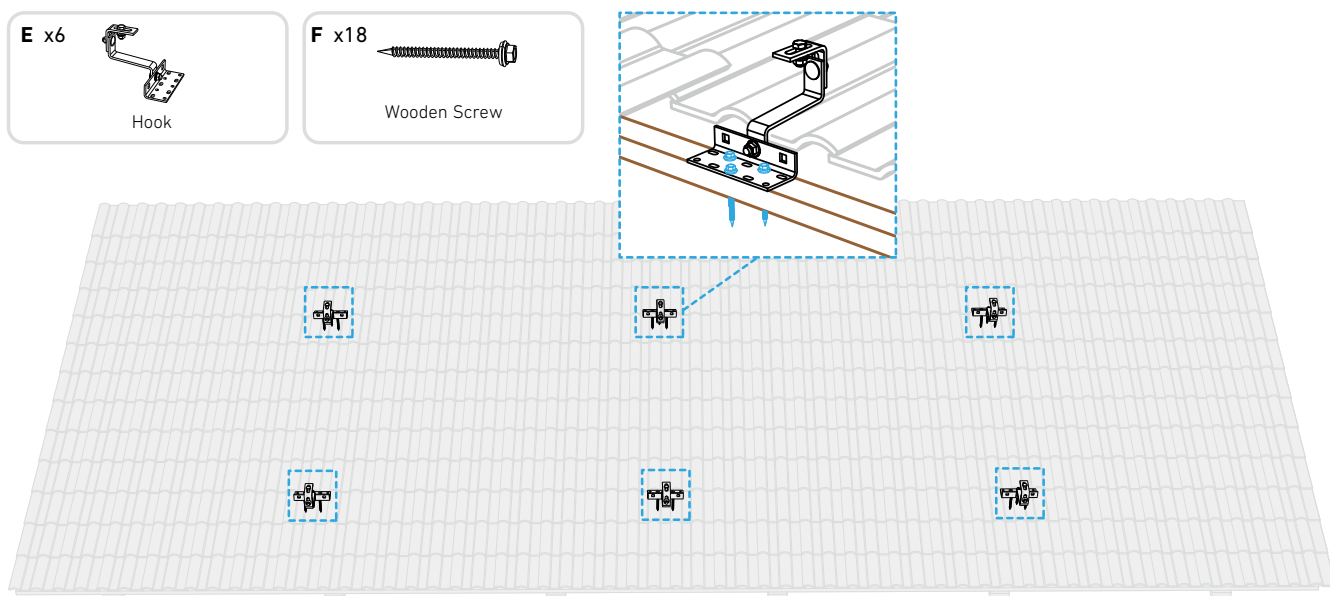


Work Gloves  
(Not included)

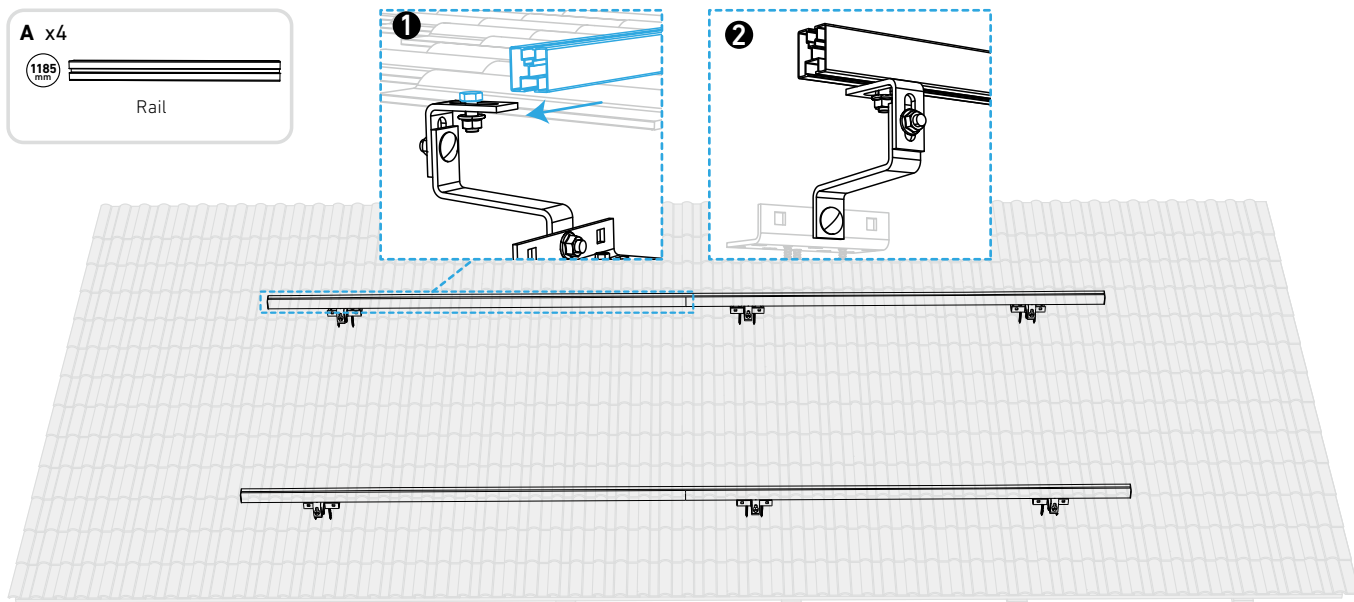
1. Measure and confirm the location for installing solar panels.



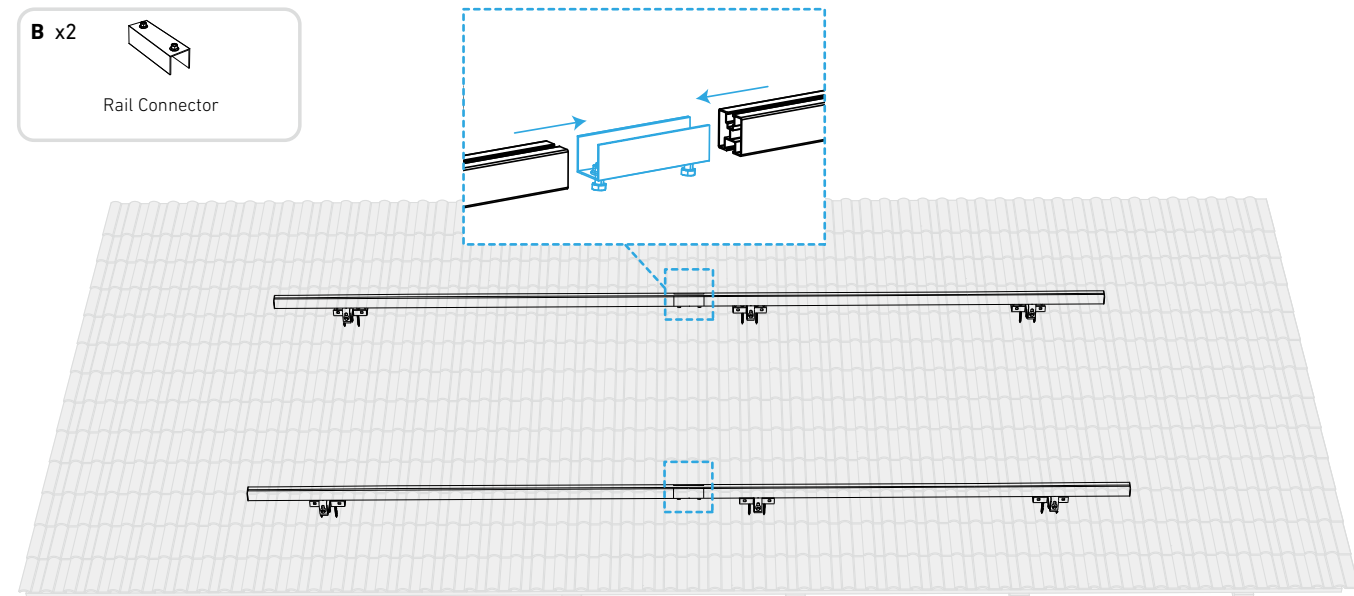
2. Lift the roof tiles. Use wooden screws to secure hooks to wooden purlins.



3. Slide the bolts onto the hooks on the underside of all the rails.



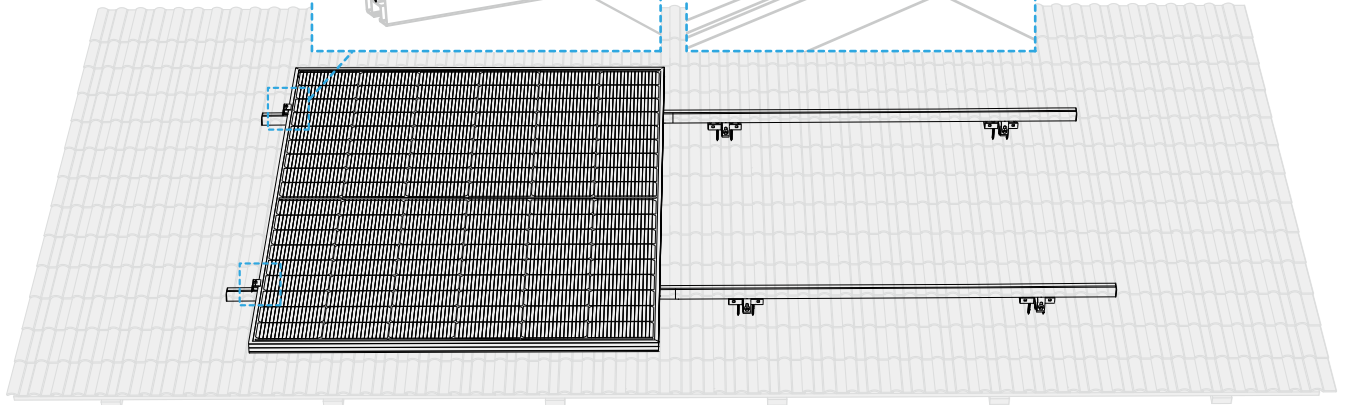
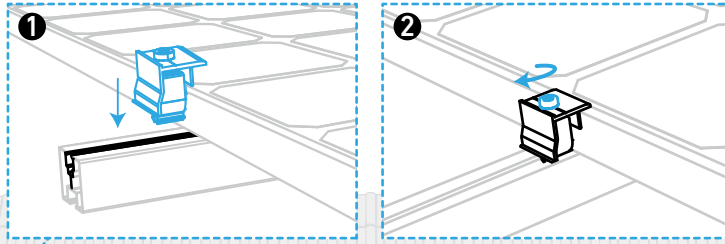
4. Connect the two rail ends with a rail connector.



5. Install the left-side end clamps and a solar panel on the rail ends.

① Press end clamps directly into the rail ends.

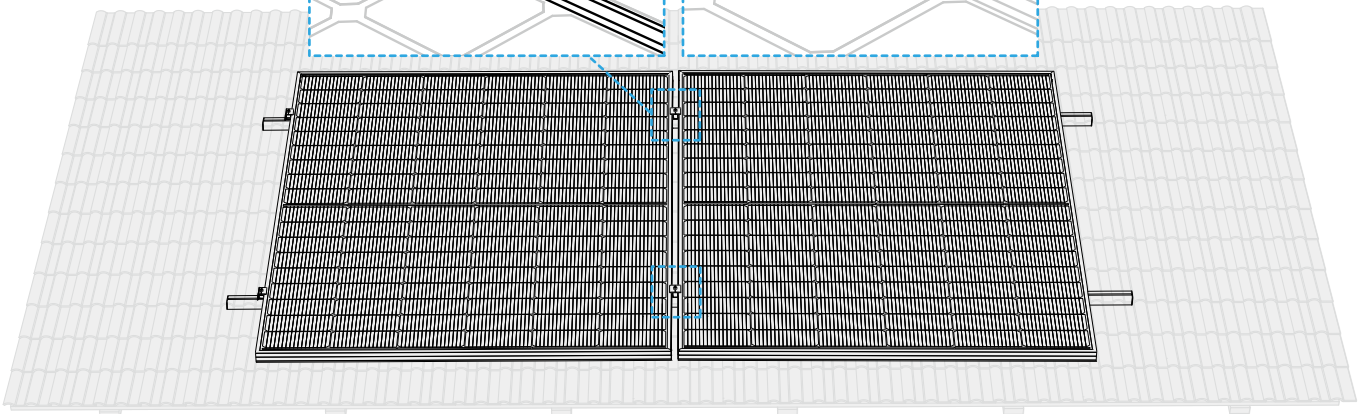
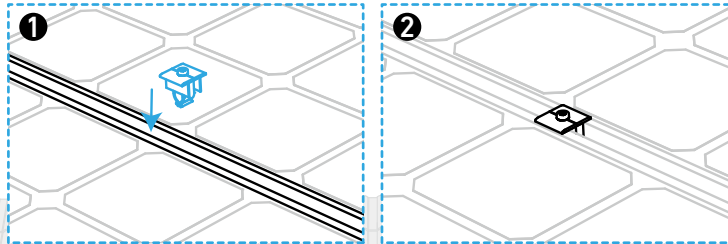
② Tighten the end clamp bolts.



6. Install mid clamps and another solar panel on the rail ends.

① Press mid clamps directly into rails and insert the solar panel.

② Tighten the mid clamp bolts.



7. Install the right-side end clamps on the rail ends.

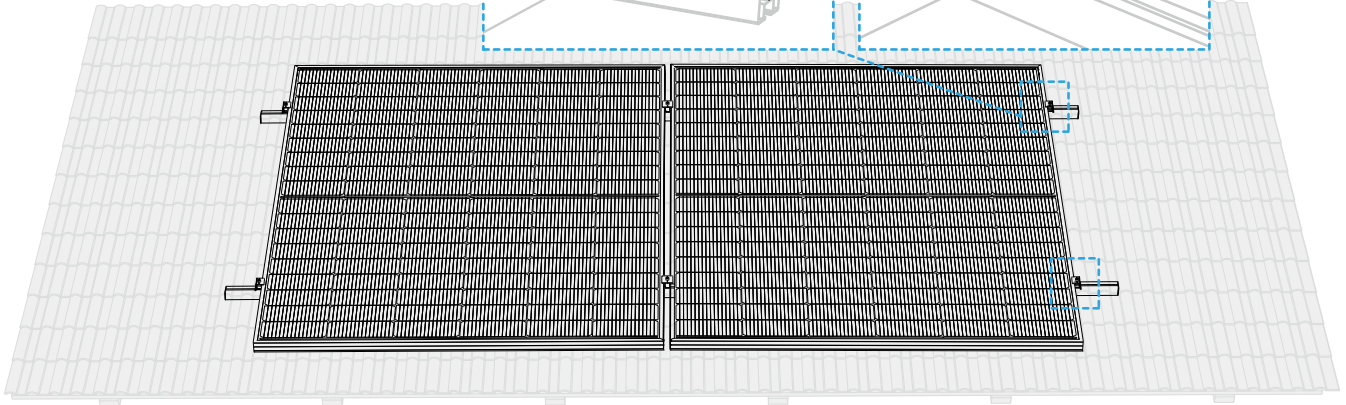
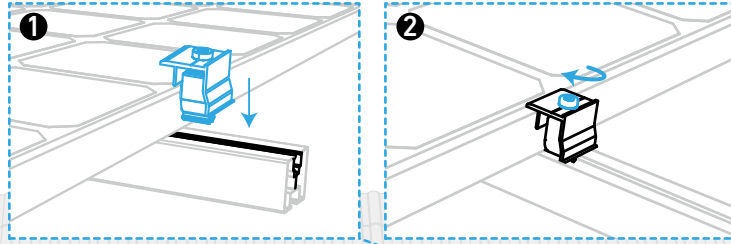
① Press end clamps directly into the rail ends.

② Tighten the end clamp bolts.

**C** x2



End Clamp

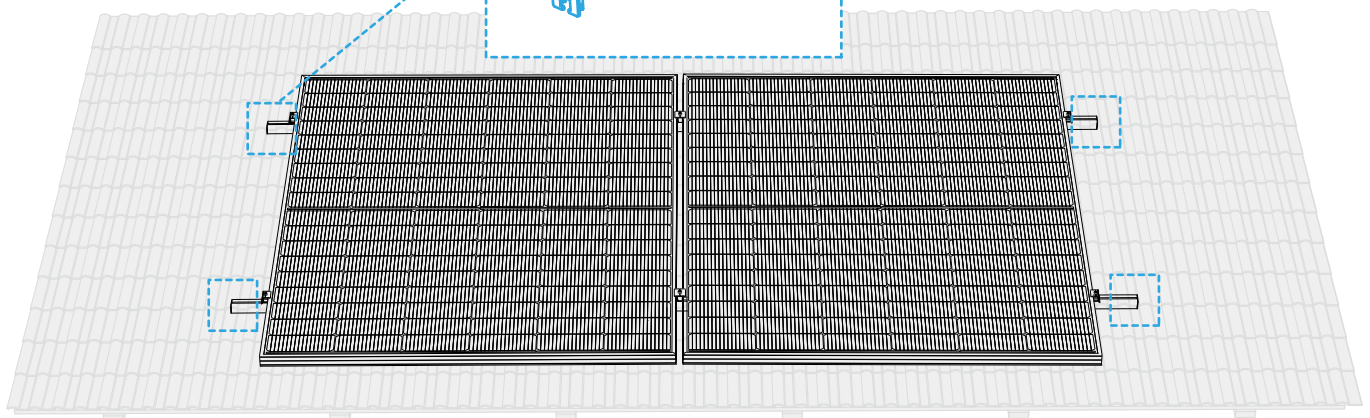
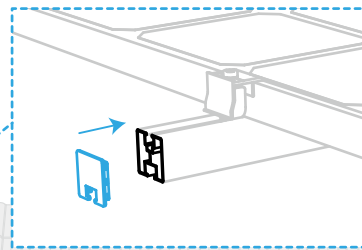


8. Press the rail caps into the rail ends.

**G** x4



Rail Cap

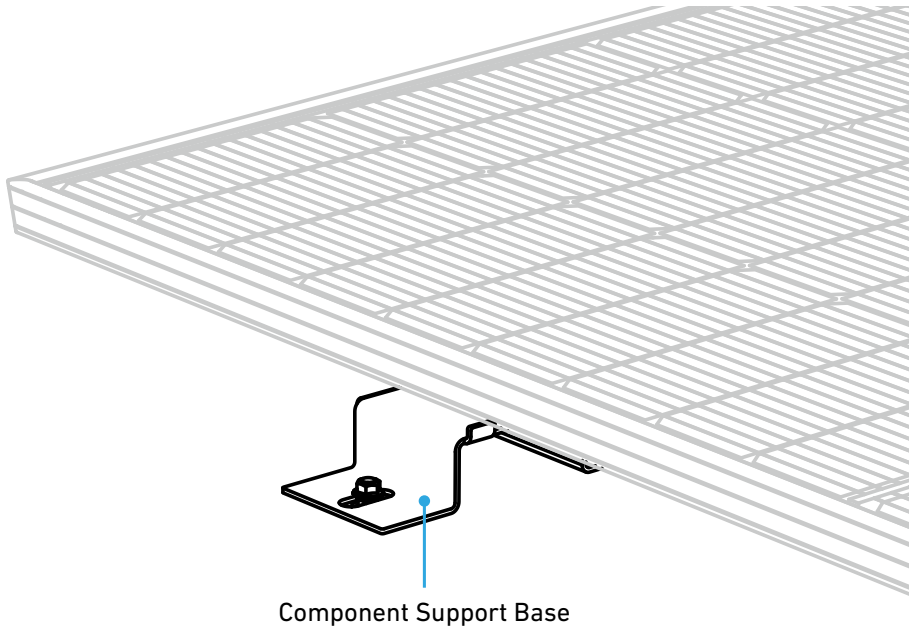


# Anker SOLIX Solar Panel Mount for Pitched Bitumen and Metal Roof Installation



**ANKER SOLIX**

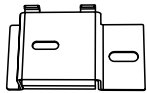
## Components Overview



## Installation

### What You Need

**A**



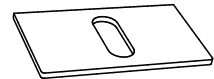
Component Support Base  
(×8)

**B**



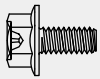
Rubber Pad 1 (60×10×2mm)  
(×8)

**C**



Rubber Pad 2 (60×36×2mm)  
(×8)

**D**



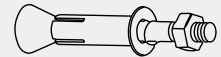
M6 14mm Flange Bolt  
(×8)

**E**



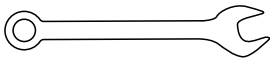
M6 Flange Nut  
(×8)

**F**



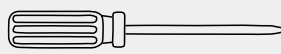
SUS304 Expansion Bolt  
(×8)

**G**

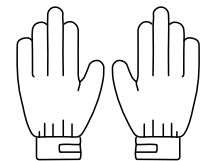


Wrench

**H**

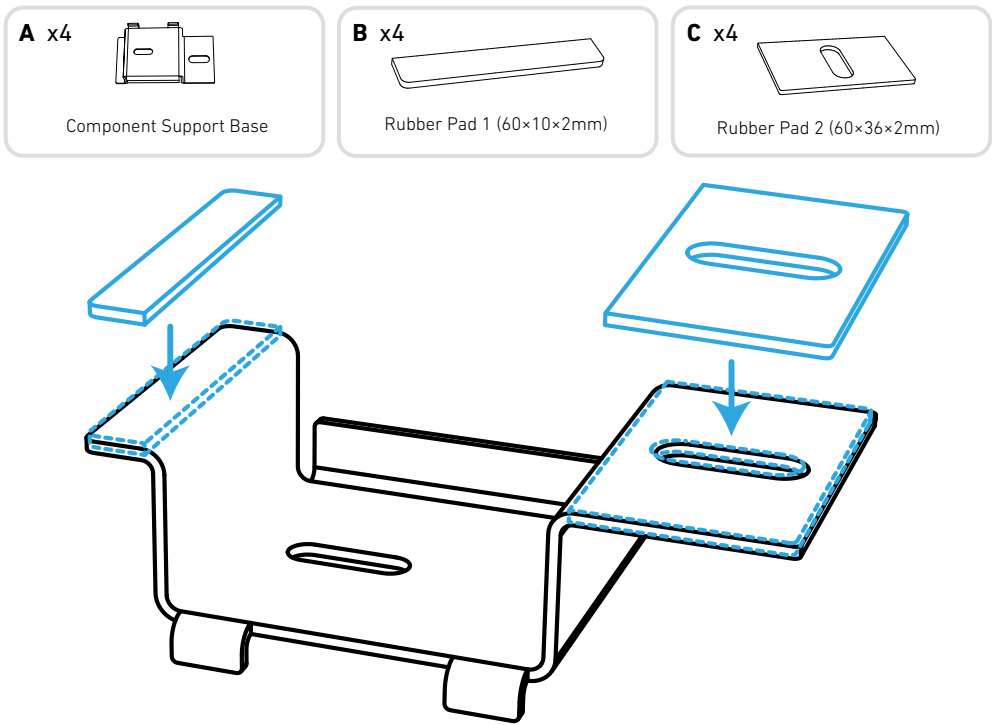


Screwdriver

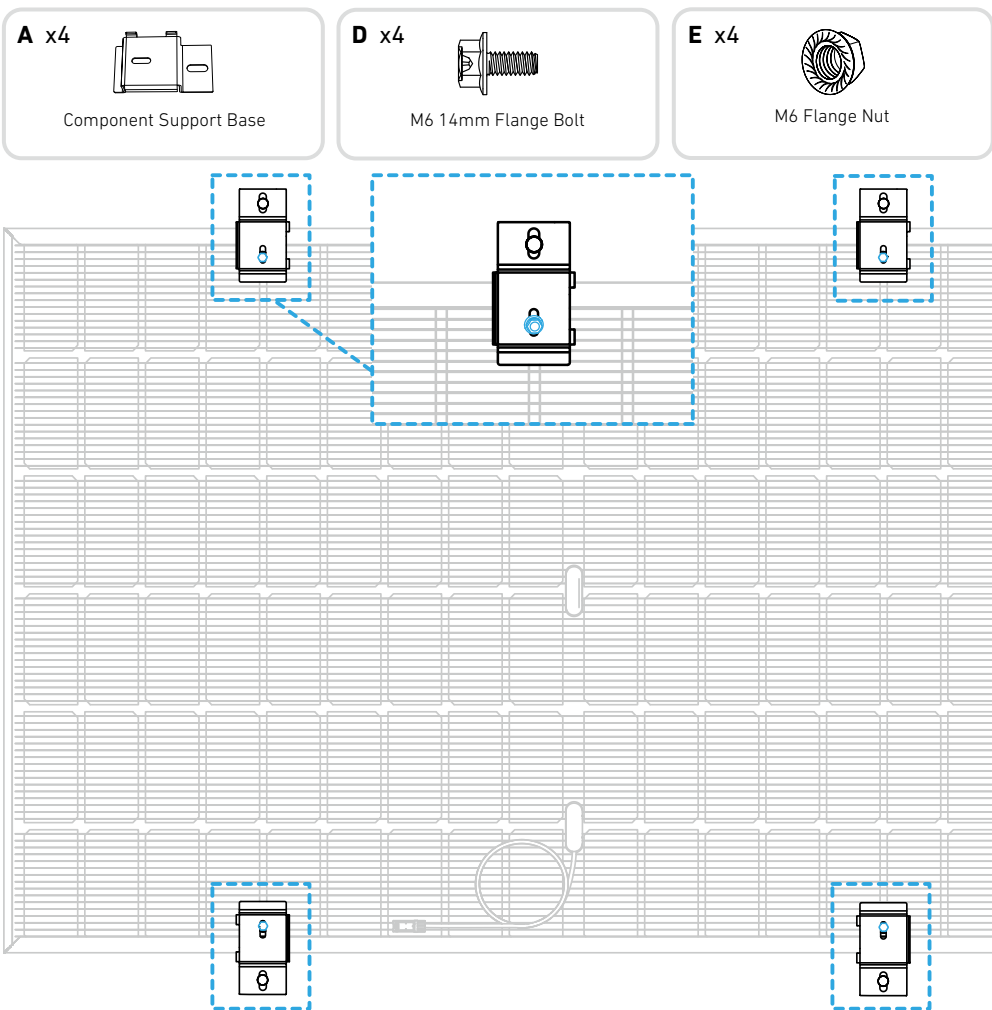


Work Gloves  
(Not included)

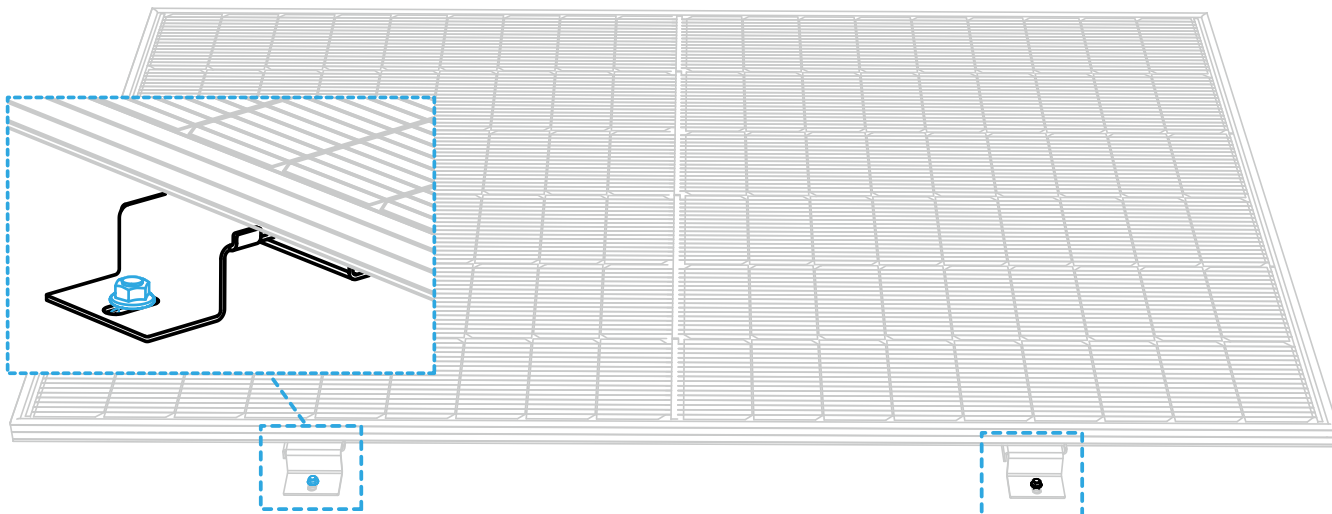
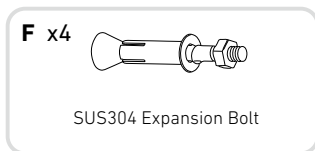
1. Place the rubber pads onto the component support bases.



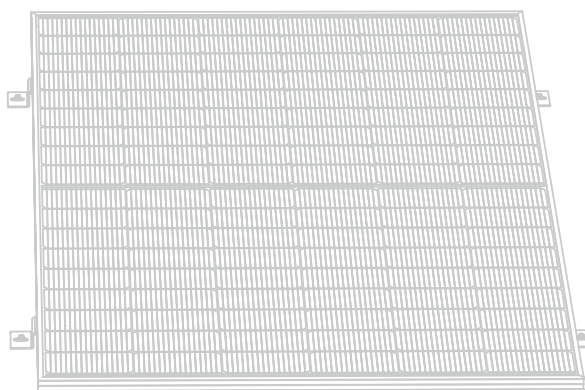
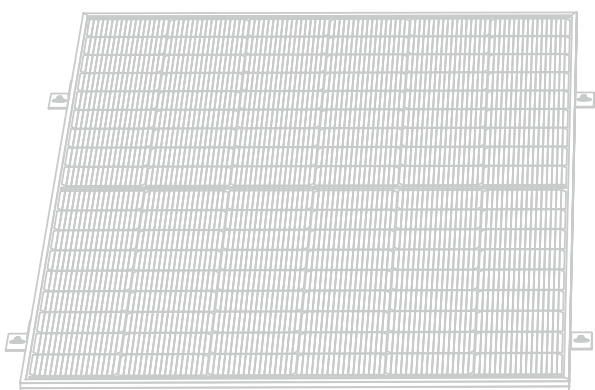
2. Secure the component support bases to the solar panel with M6 x 14mm Flange bolts and M6 Flange nuts.



3. Secure the component support bases and solar panel on the roof with SUS304 Expansion Bolts.



4. Repeat the steps above to install another solar panel.



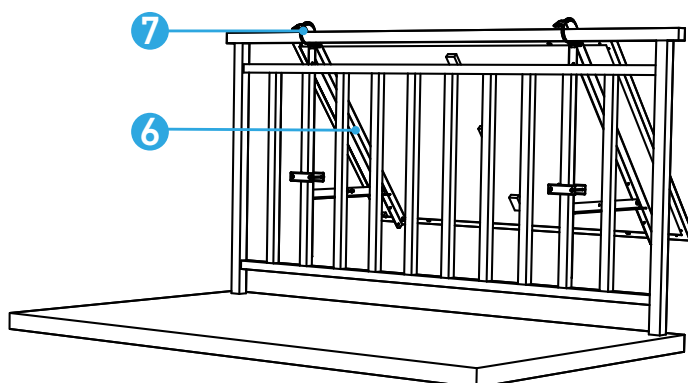
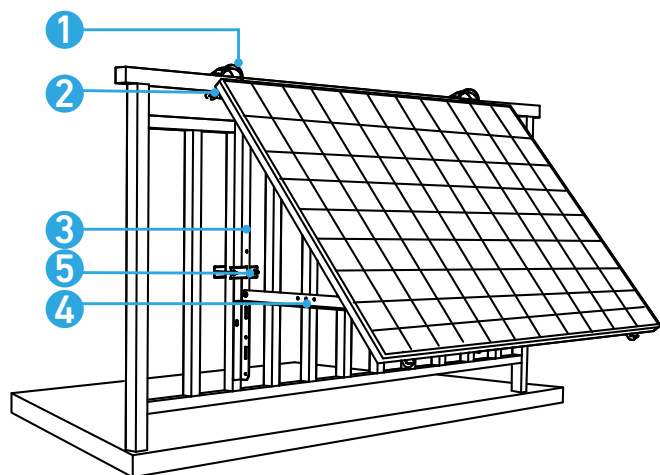
# Anker SOLIX Solar Panel Mount for Balcony Installation



**ANKER SOLIX**

- Ensure the solar panel extends over the balcony railing.
- Solar system modules weigh 52.5kg, so ensure your balcony can support them before installing.

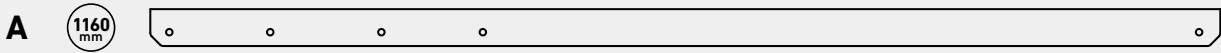
## Components Overview



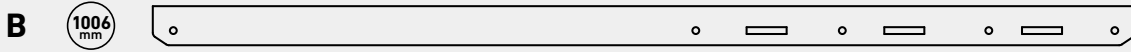
- ❶ 304 Stainless Steel Hose Clamp
- ❷ U-Shaped Rack
- ❸ Vertical Support Beam
- ❹ Lower Support Beam
- ❺ Fastening Clamp
- ❻ Solar Panel Support Beam
- ❼ Silicone Buffer Pad

# Installation

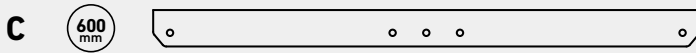
## What You Need



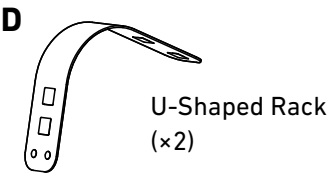
Solar Panel Support Beam (x2)



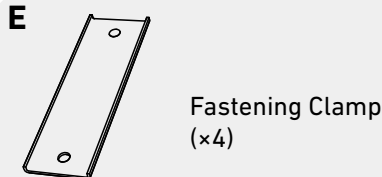
Vertical Support Beam (x2)



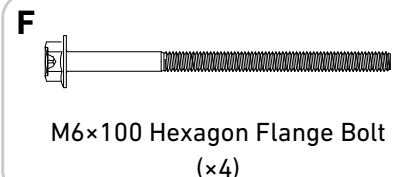
Lower Support Beam (x2)



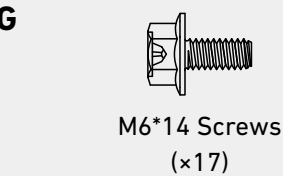
U-Shaped Rack (x2)



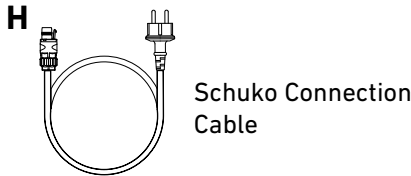
Fastening Clamp (x4)



M6x100 Hexagon Flange Bolt (x4)



M6\*14 Screws (x17)



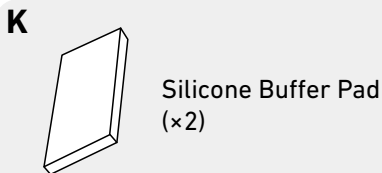
Schuko Connection Cable



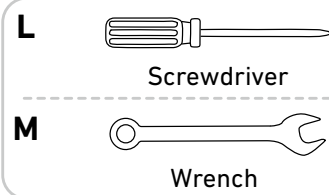
M6 Nut (x21)



304 Stainless Steel Hose Clamp (x4)



Silicone Buffer Pad (x2)



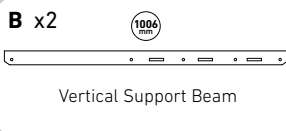
Screwdriver

Wrench



Work Gloves (Not included)

1. Place the silicone buffer pads onto the U-shaped racks, then mount the U-shaped racks to the vertical support beams.



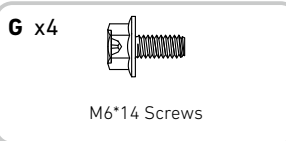
Vertical Support Beam



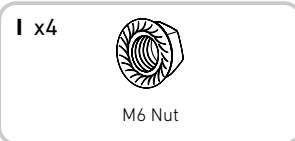
U-Shaped Rack



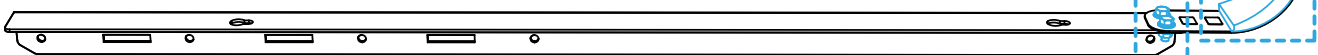
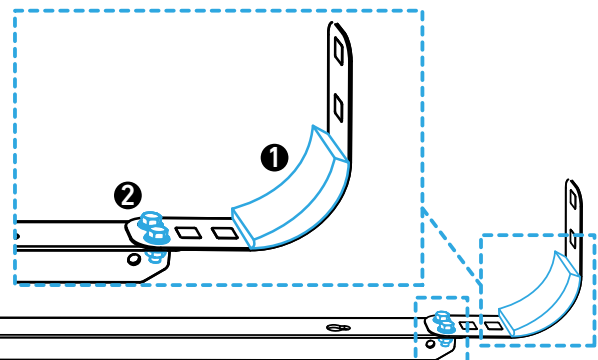
Silicone Buffer Pad



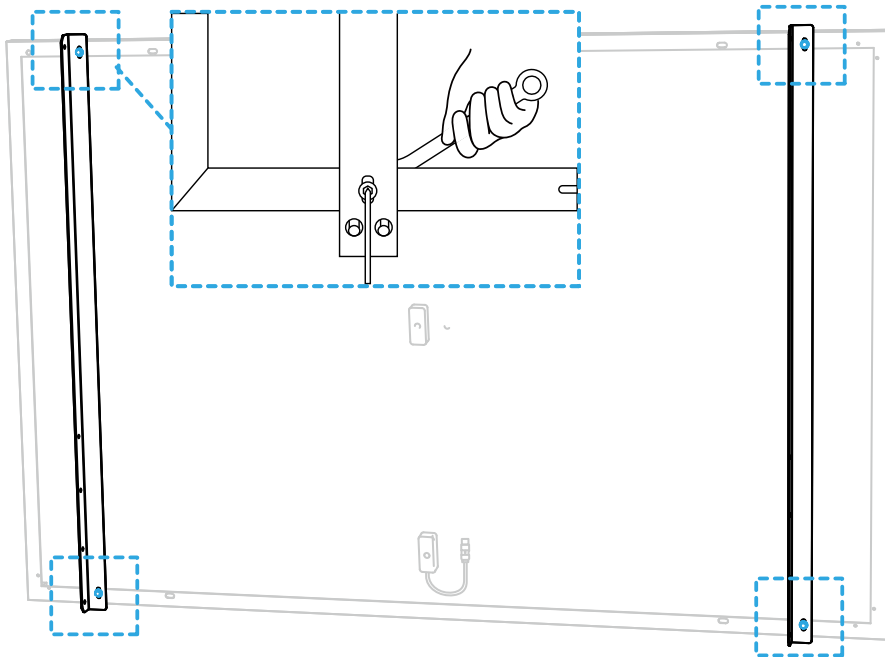
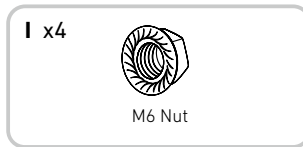
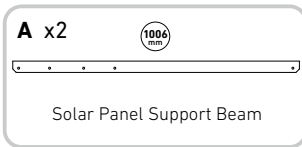
M6\*14 Screws



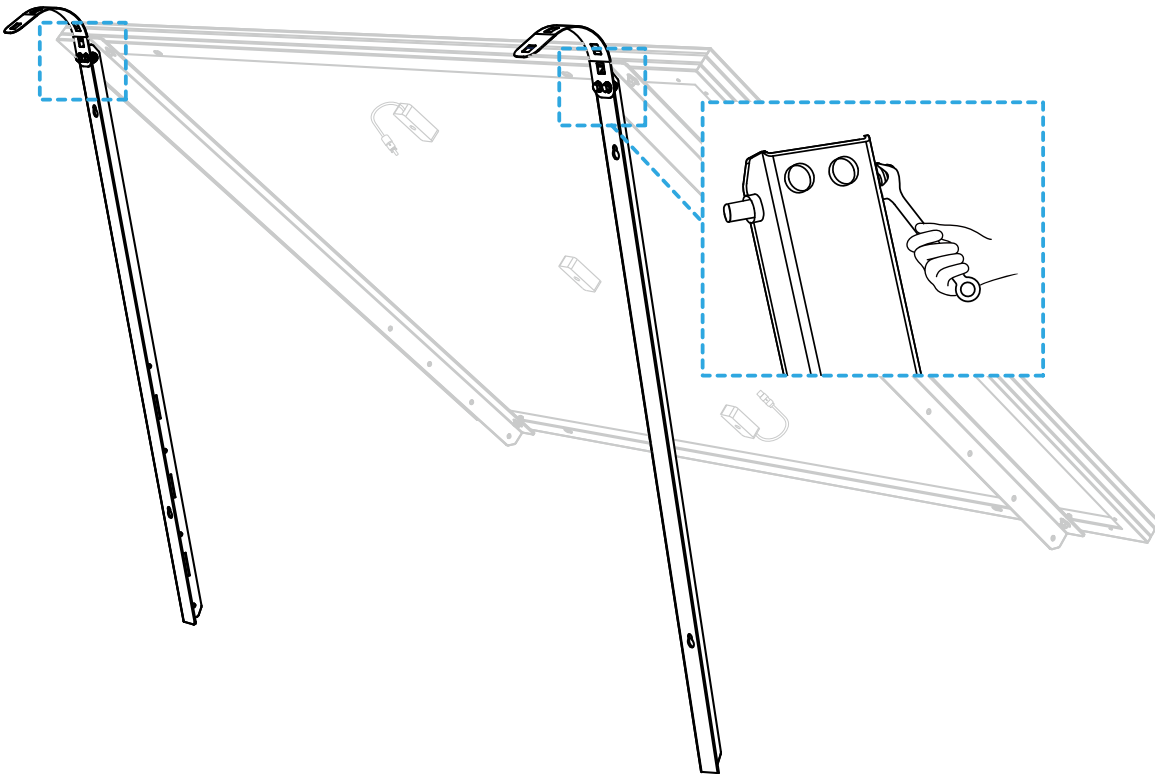
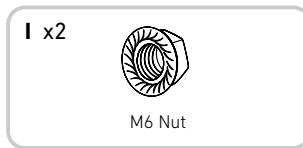
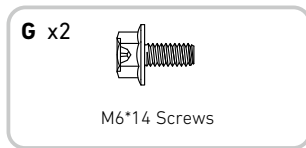
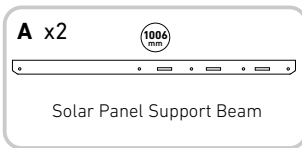
M6 Nut



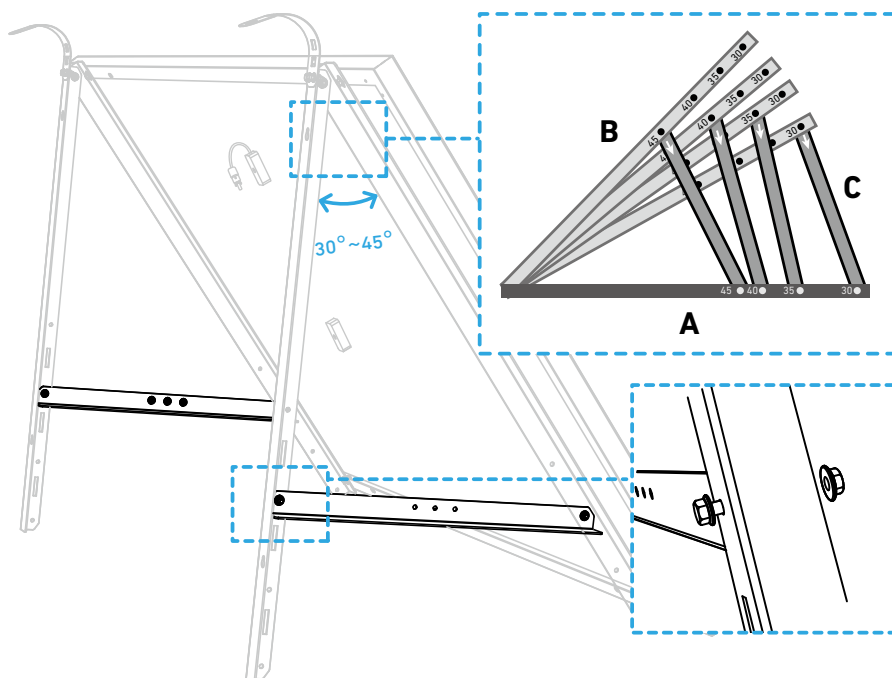
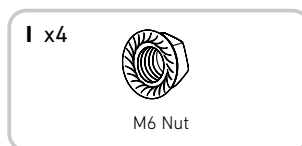
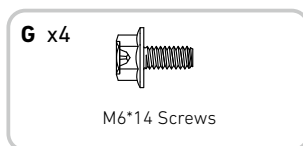
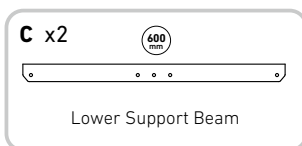
2. Mount the solar panel support beams on the solar panel.



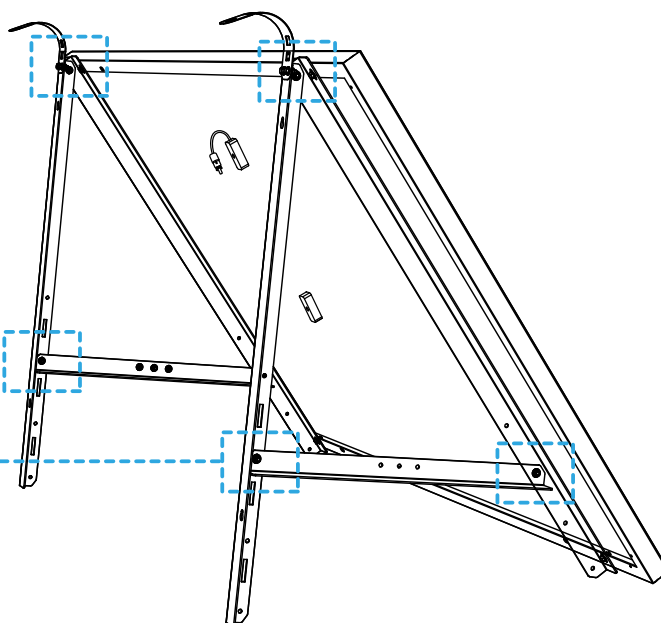
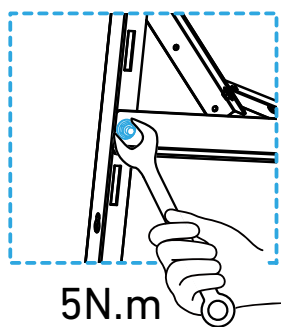
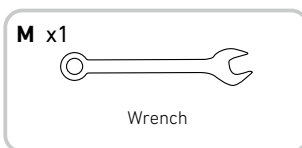
3. Install the vertical beams and solar panel support beams without tightening the screws.



4. Munt the lower support beams and adjust the angle for maximum sunlight exposure.



5. Tighten all the screws with 5N.m torque.



6. Hang the solar panel on the balcony railing and adjust the U-shaped racks manually to fit the shape of the balcony railing. Then, secure the U-shaped racks with stainless steel hose clamps.



Hold the solar panel until the U-shaped racks are firmly secured with stainless steel hose clamps. Avoid applying excessive pressure on the U-shaped racks because the paint surface may crack.

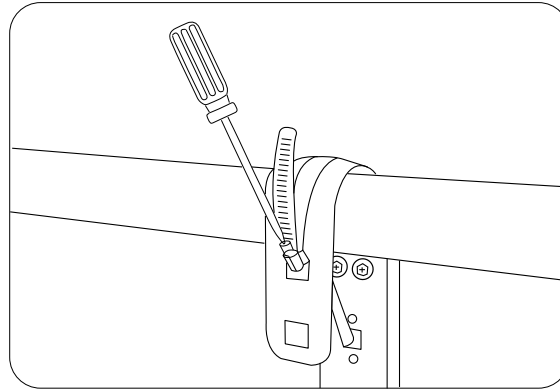
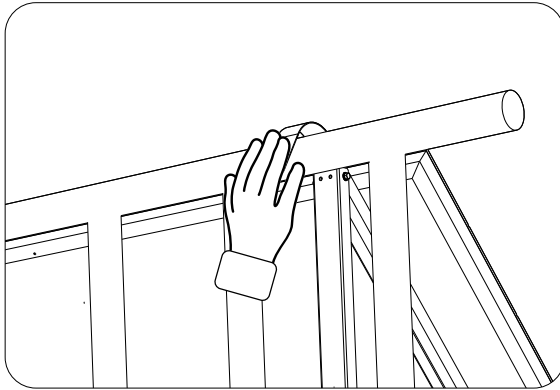


- To tighten, rotate the stainless steel hose clamps clockwise. To loosen, rotate the stainless steel hose clamps counterclockwise.
- At least 2 stainless steel hose clamps are needed to secure the brackets on one side.

**J x2**

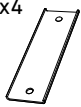


304 Stainless Steel Hose Clamp



7. Install the solar panel's support brackets on the balcony railing, then secure them using fastening clamps or stainlesssteel hose clamps.

**E x4**



Fastening Clamp

**F x4**



M6x100 Hexagon Flange Bolt

**I x4**

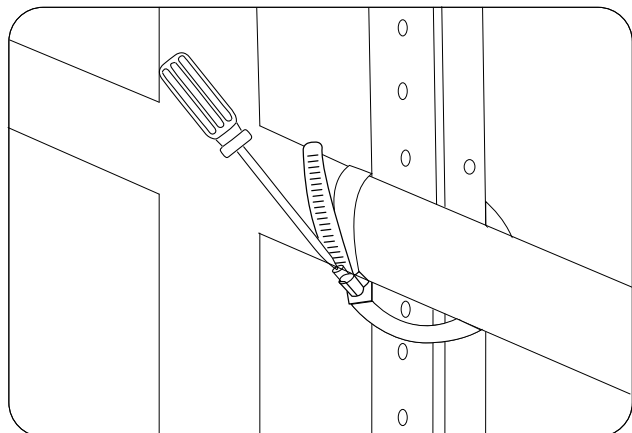
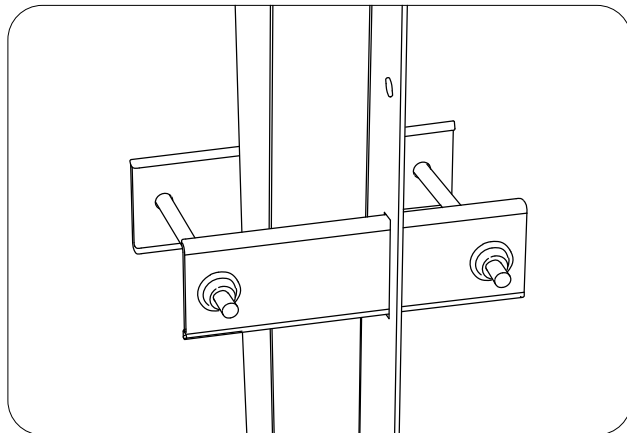


M6 Nut


**J x2**

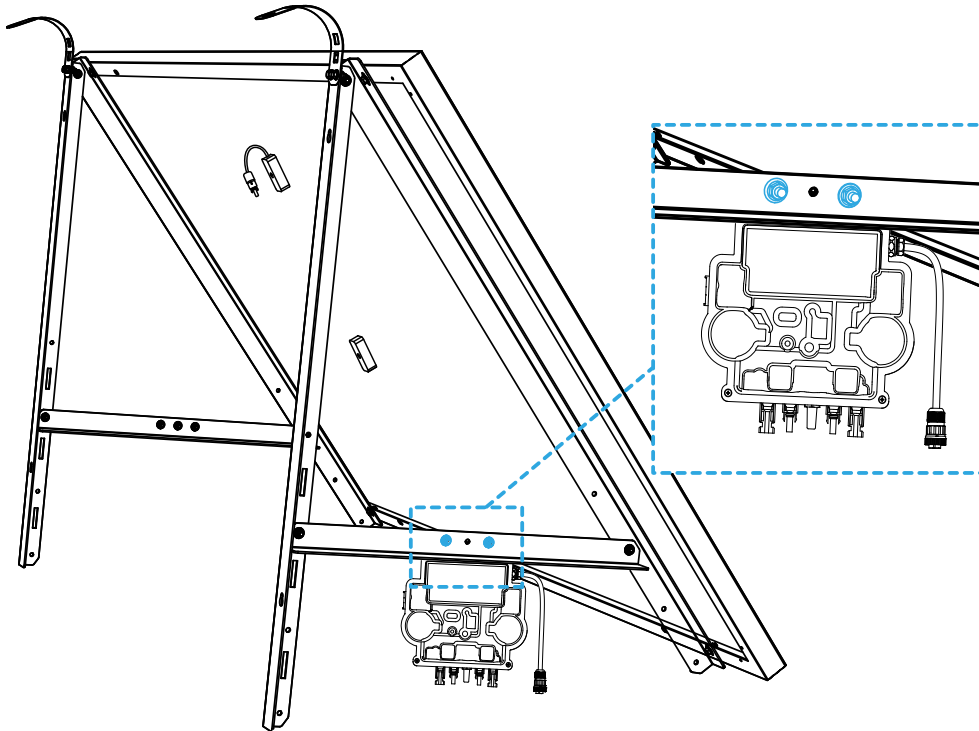
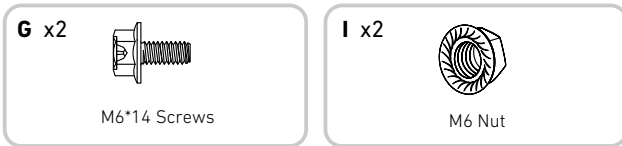


304 Stainless Steel Hose Clamp

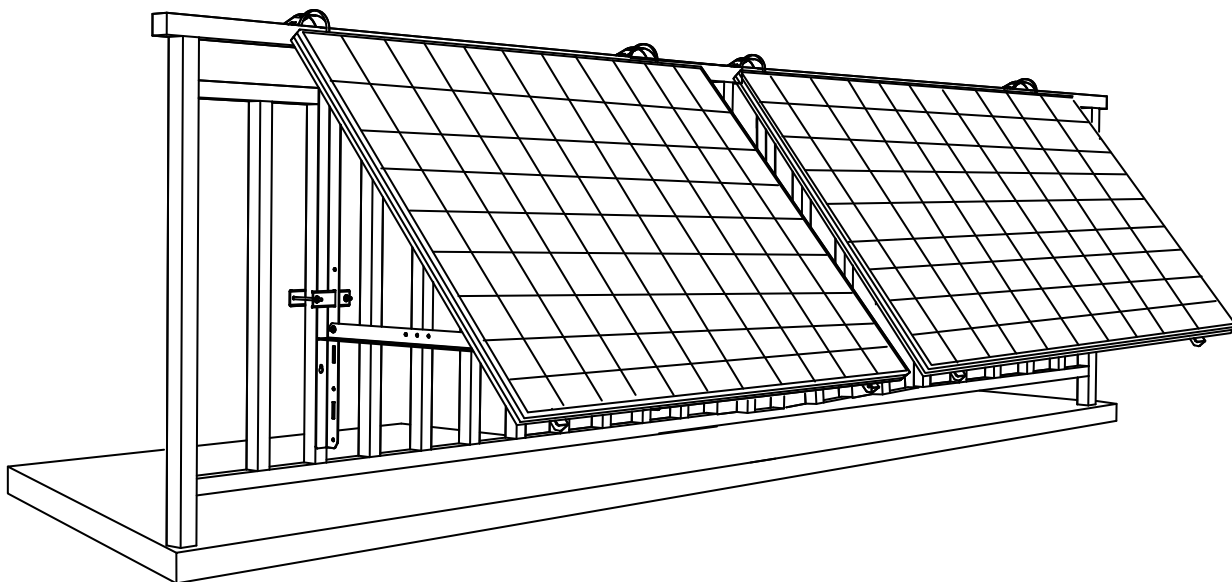


8. Install the microinverter to the lower support beams or anywhere else.

 Note: The microinverter's front surface (with the Anker logo) should face outwards.



9. Repeat the steps above to install another solar panel.

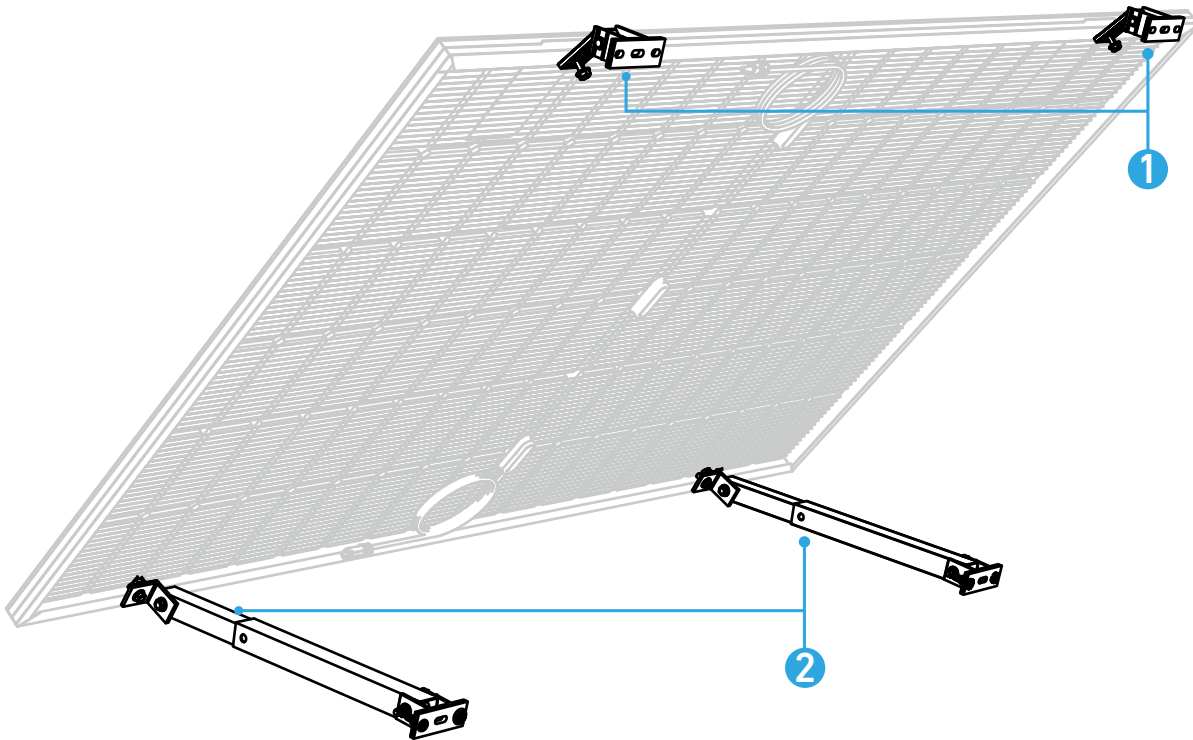


# Anker SOLIX Solar Panel Mount for Wall Installation



**ANKER SOLIX**

## Components Overview

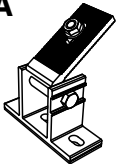


- ① Top Bracket
- ② Bottom Telescopic Bracket

## Installation

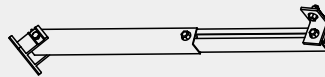
### What You Need

A



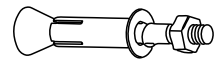
Top Bracket  
(x4)

B

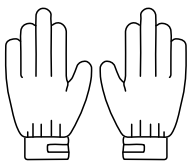


Bottom Telescopic Bracket  
(x4)

C

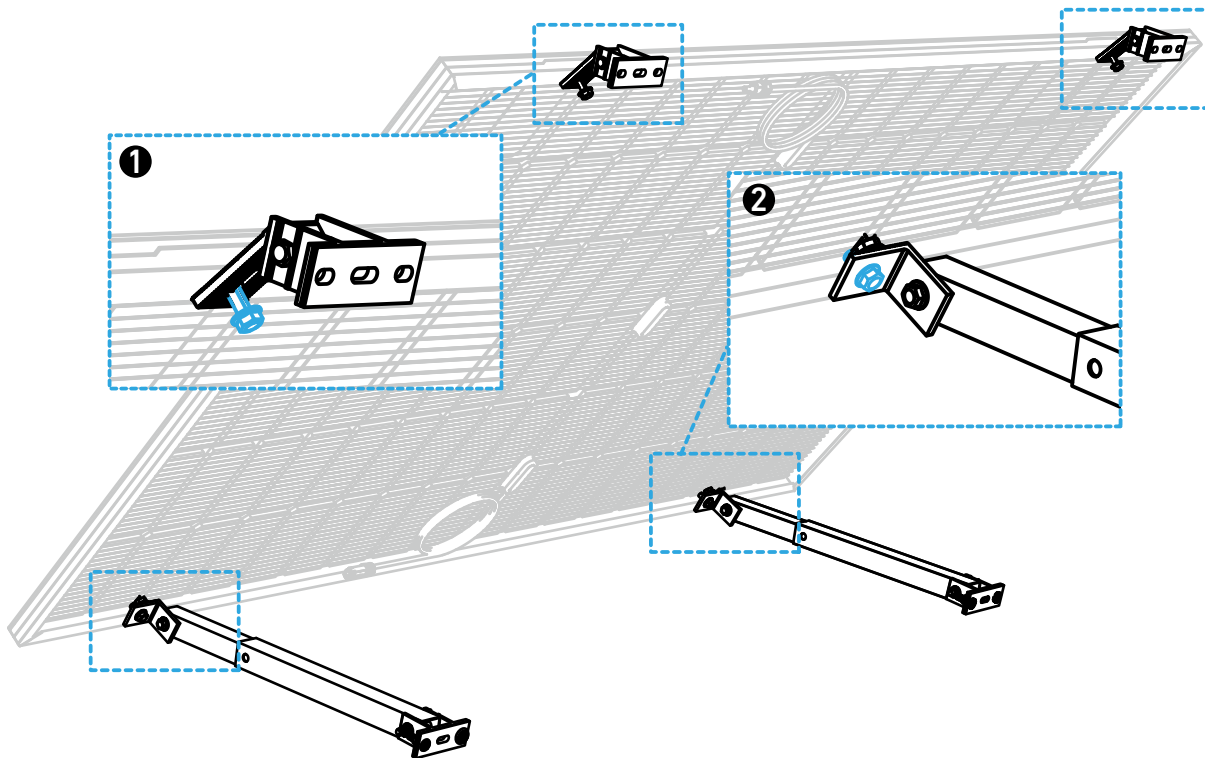
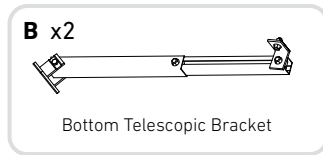
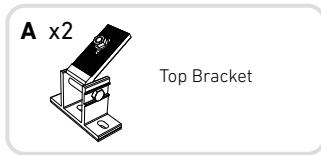


Expansion Bolt  
(x16)

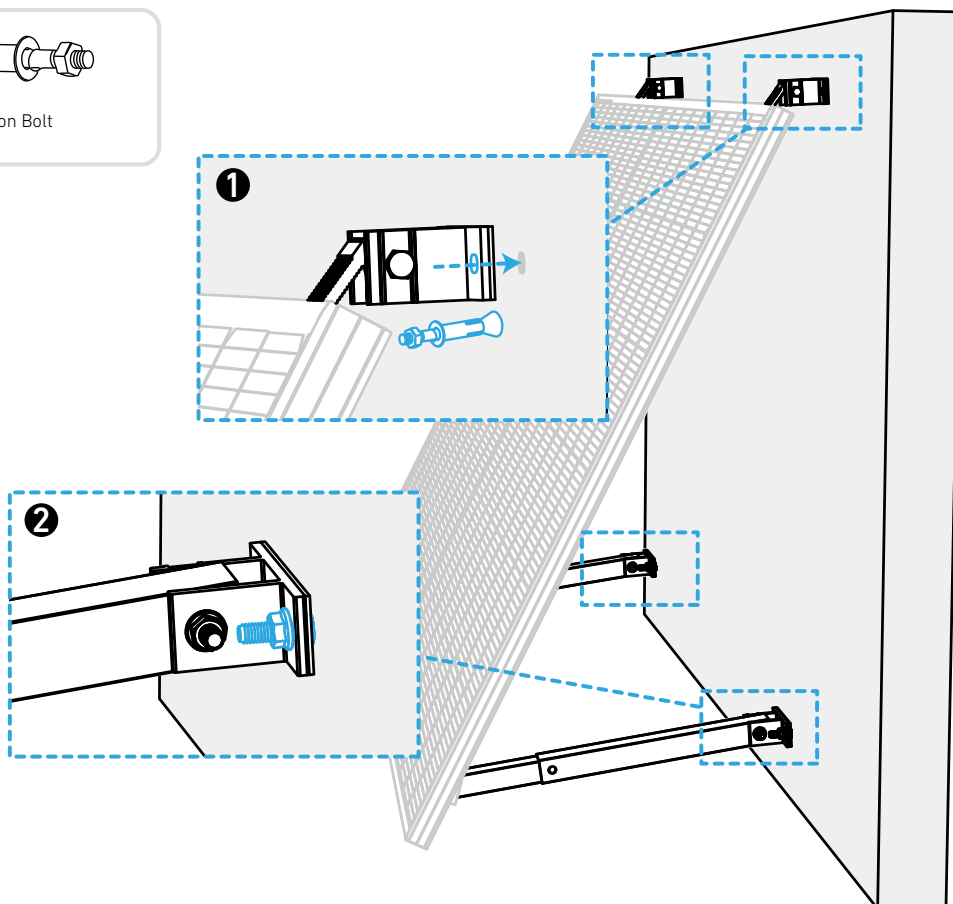
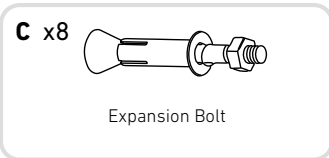


Work Gloves  
(Not included)

1. Mount the top brackets and bottom telescopic brackets to the solar panel with screws.

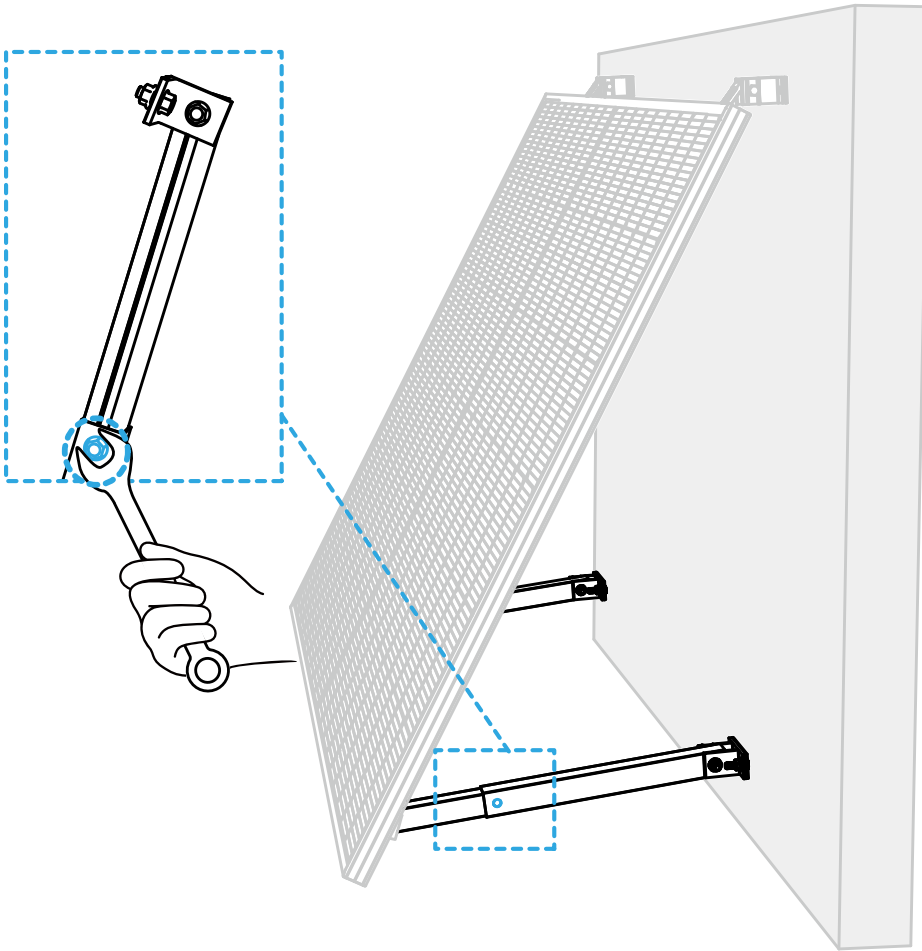


2. Secure the brackets and solar panel to the wall with expansion bolts.

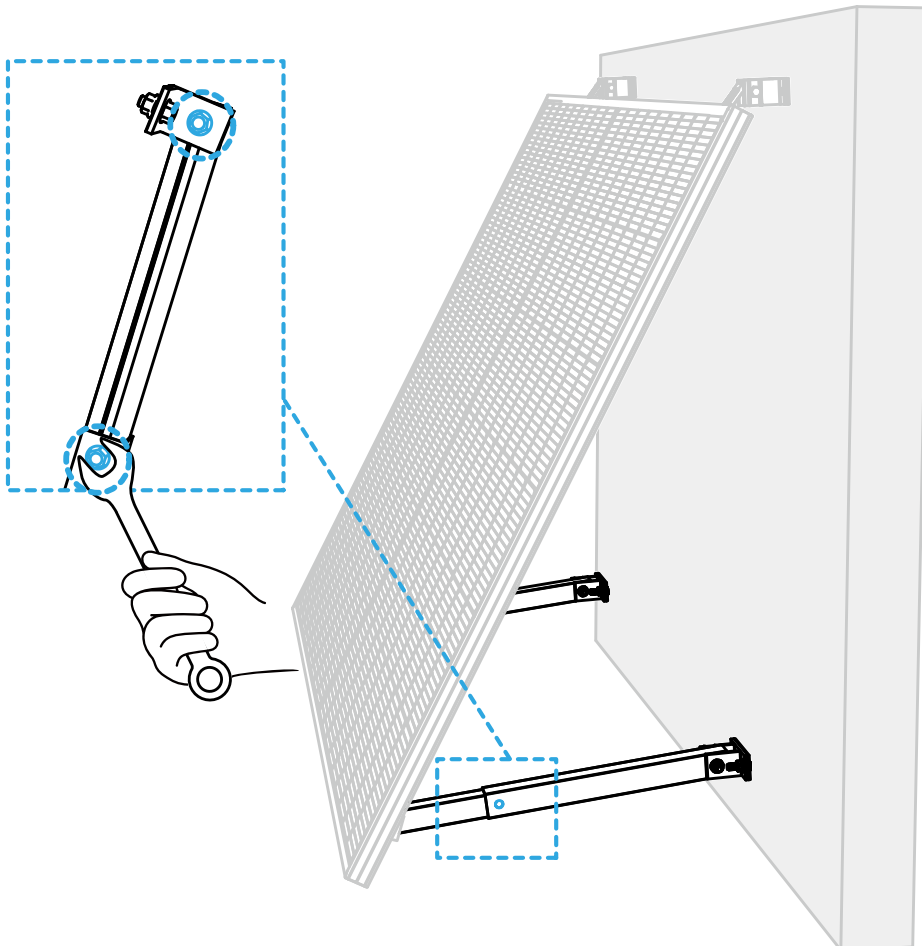


3. Adjust the bottom telescopic brackets to position the solar panel at the appropriate angle.

💡 Note: Twist the screw to adjust the bracket length.



4. Tighten the screws on the bottom telescopic brackets to secure the angle.



5. Repeat the steps above to install another solar panel.

